

SECTION 3

# SCHEMATIC DIAGRAM

## TABLE OF CONTENTS

1. SCHEMATIC DIAGRAM OF ICs.....	49
2. HX-2 POWER AND SYSCON NO. 2-1 830707A SCHEMATIC DIAGRAM .....	53
3. HX-2 AMP NO. 2-2 830708A SCHEMATIC DIAGRAM .....	54
4. HX-3 POWER AND SYSCON NO. 2-1 830709A SCHEMATIC DIAGRAM .....	55
5. HX-3 AMP NO. 2-2 830710A SCHEMATIC DIAGRAM .....	56

***RTV servis Horvat***

Kešinci, 31402 Semeljci

Tel : 031-856-637

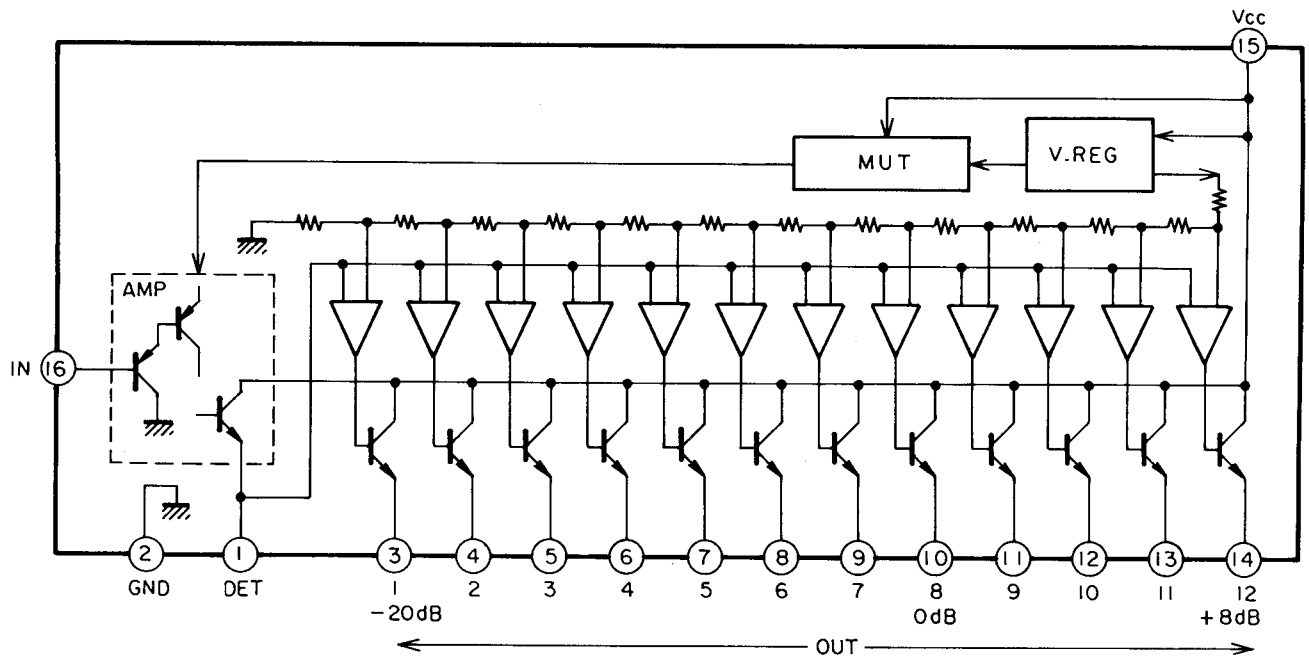
Tel / fax : 031-856-139

Mob : 098-788-319

[rtv-servis-horvat@os.tel.hr](mailto:rtv-servis-horvat@os.tel.hr)

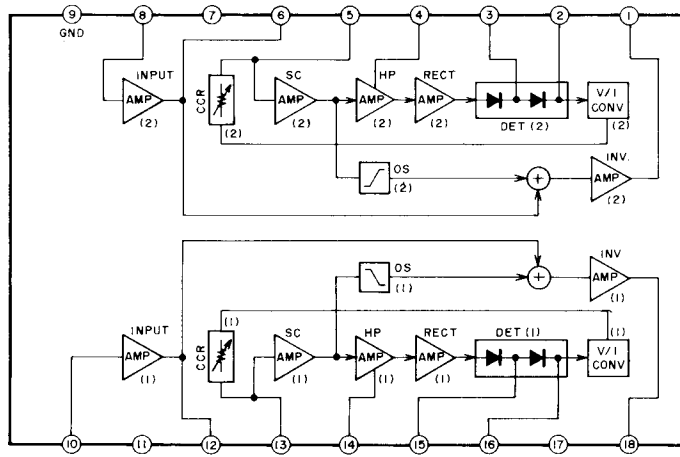
## SCHEMATIC DIAGRAM OF IC's

BA6146

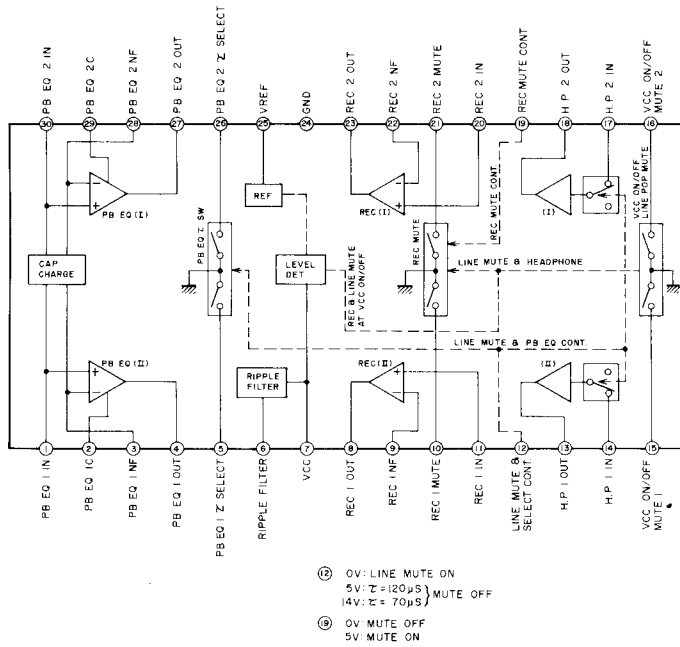


SCHEMATIC DIAGRAM HX-2/HX-3

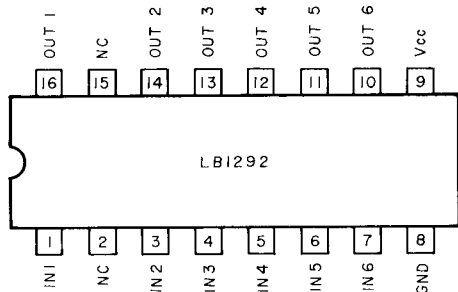
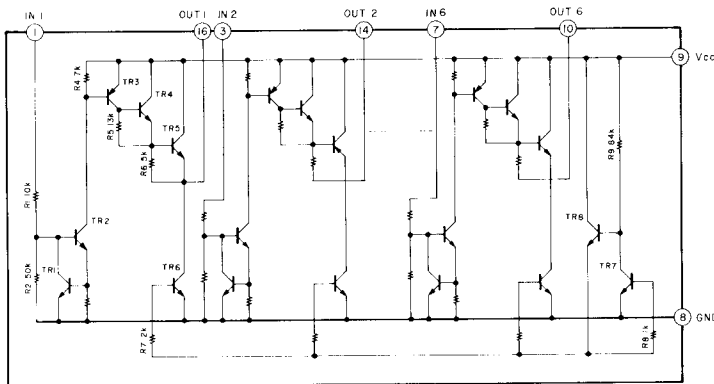
HA12045



HA12051NT

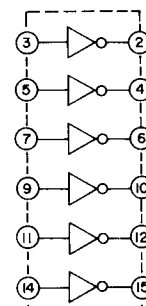


LB1292



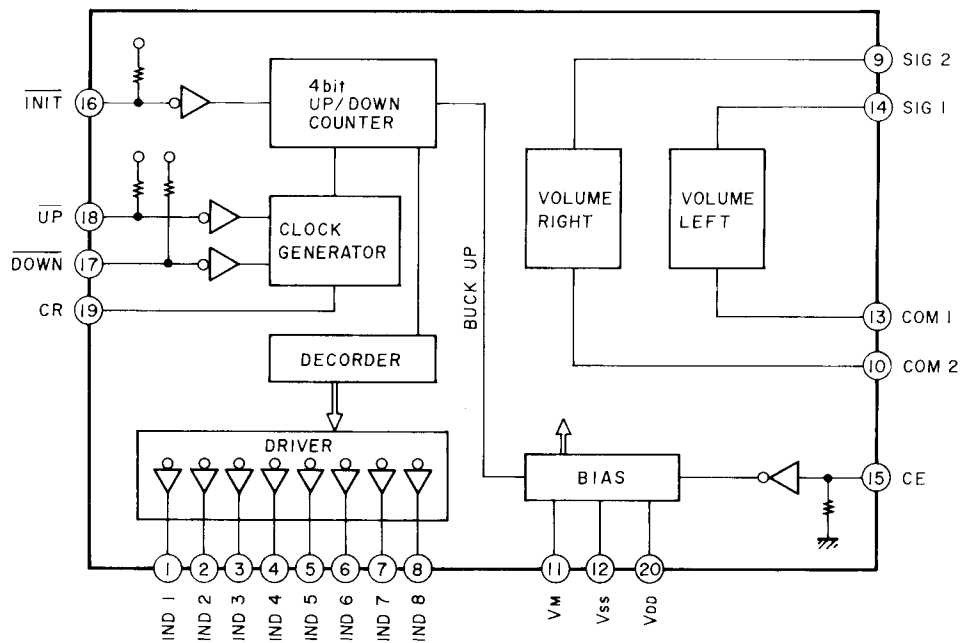
(Top View)

LC4049B

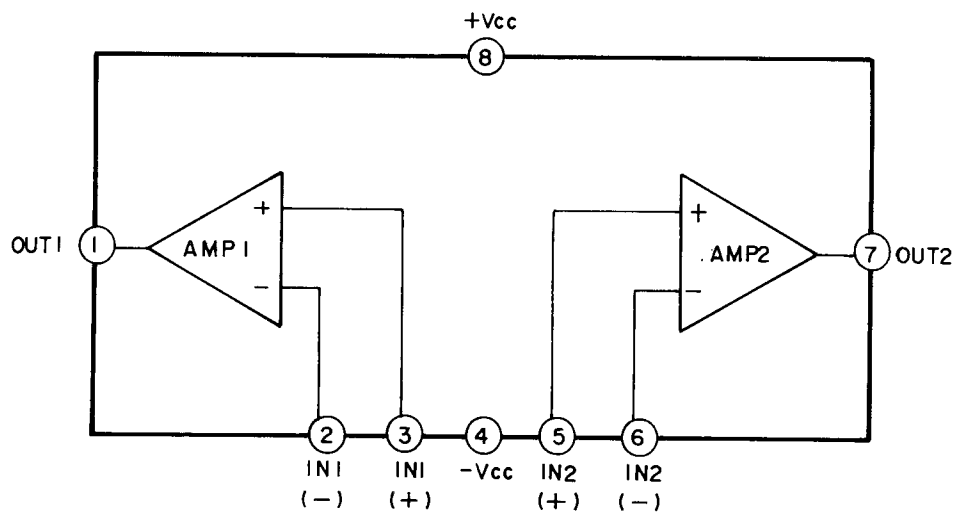


NC= Pin 13,16  
 VSS= Pin 8  
 VCC= Pin 1

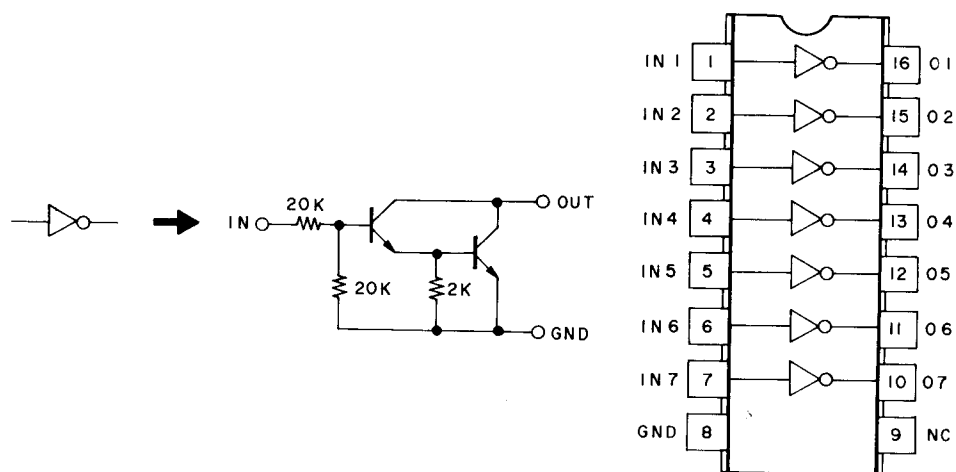
LC7530

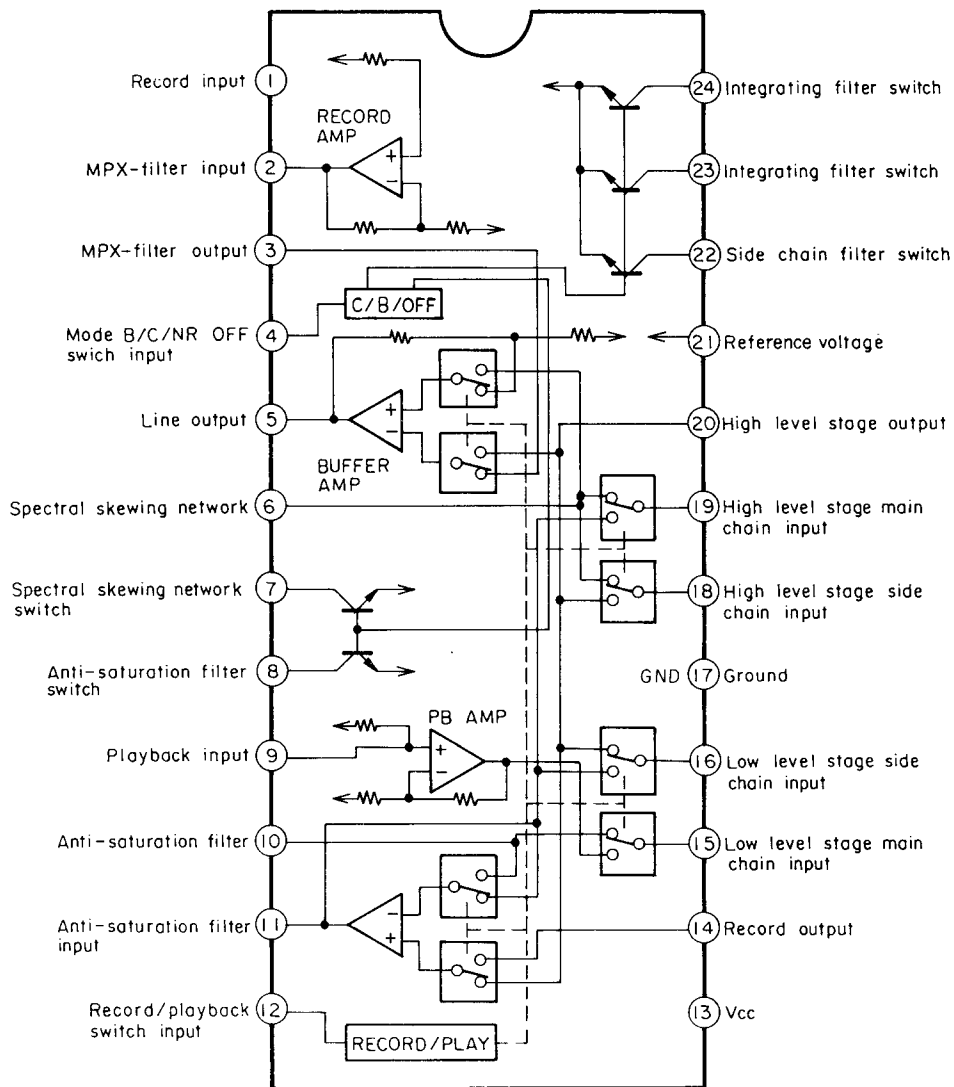
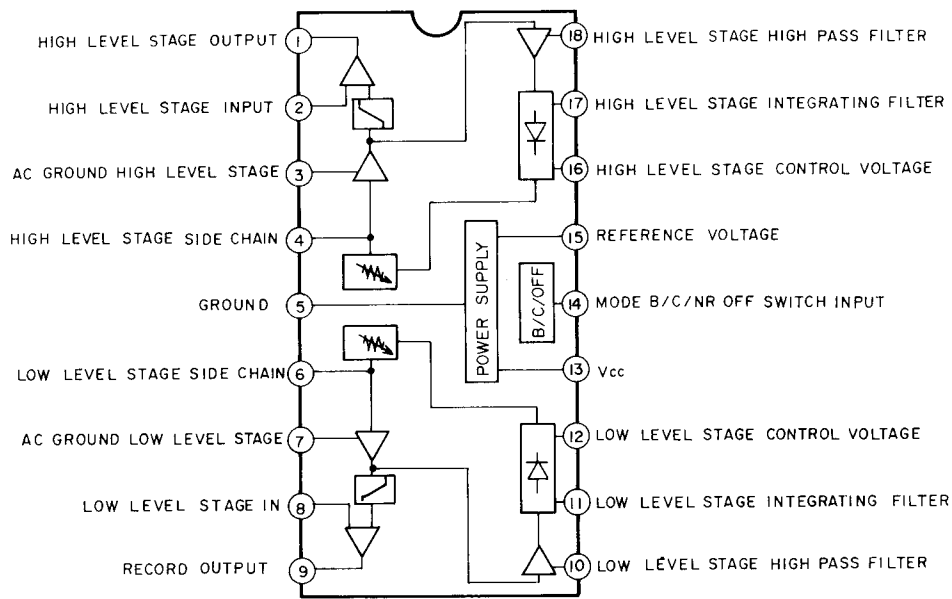


M5218L0



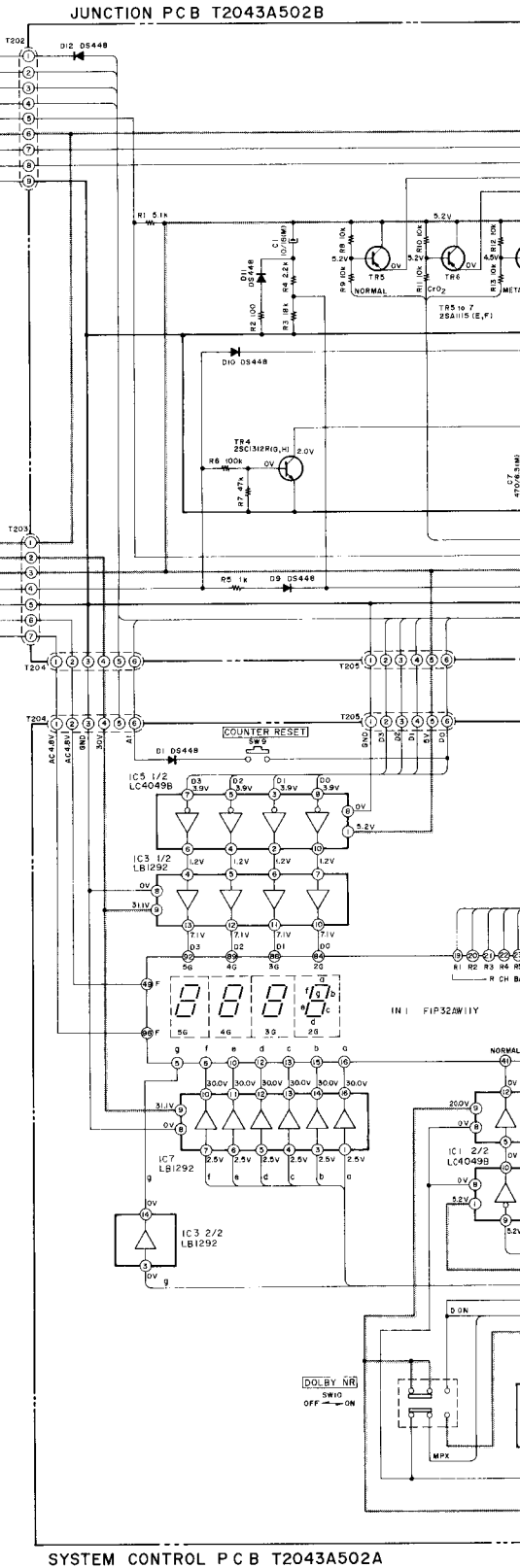
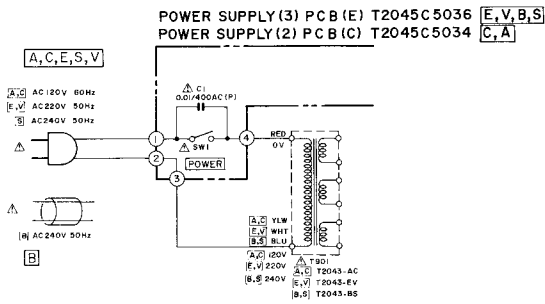
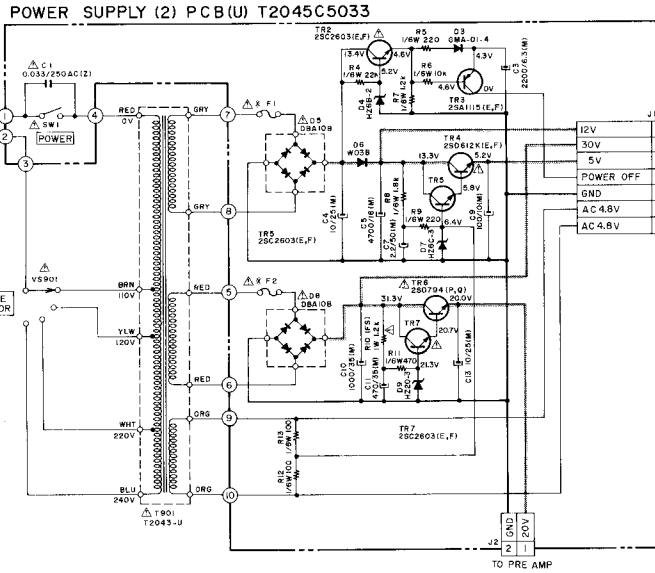
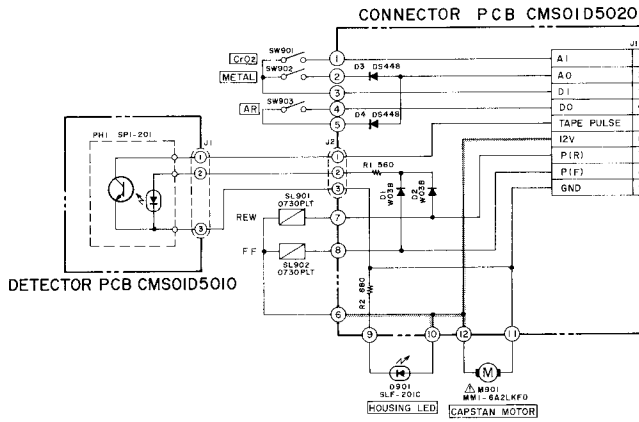
M54519P





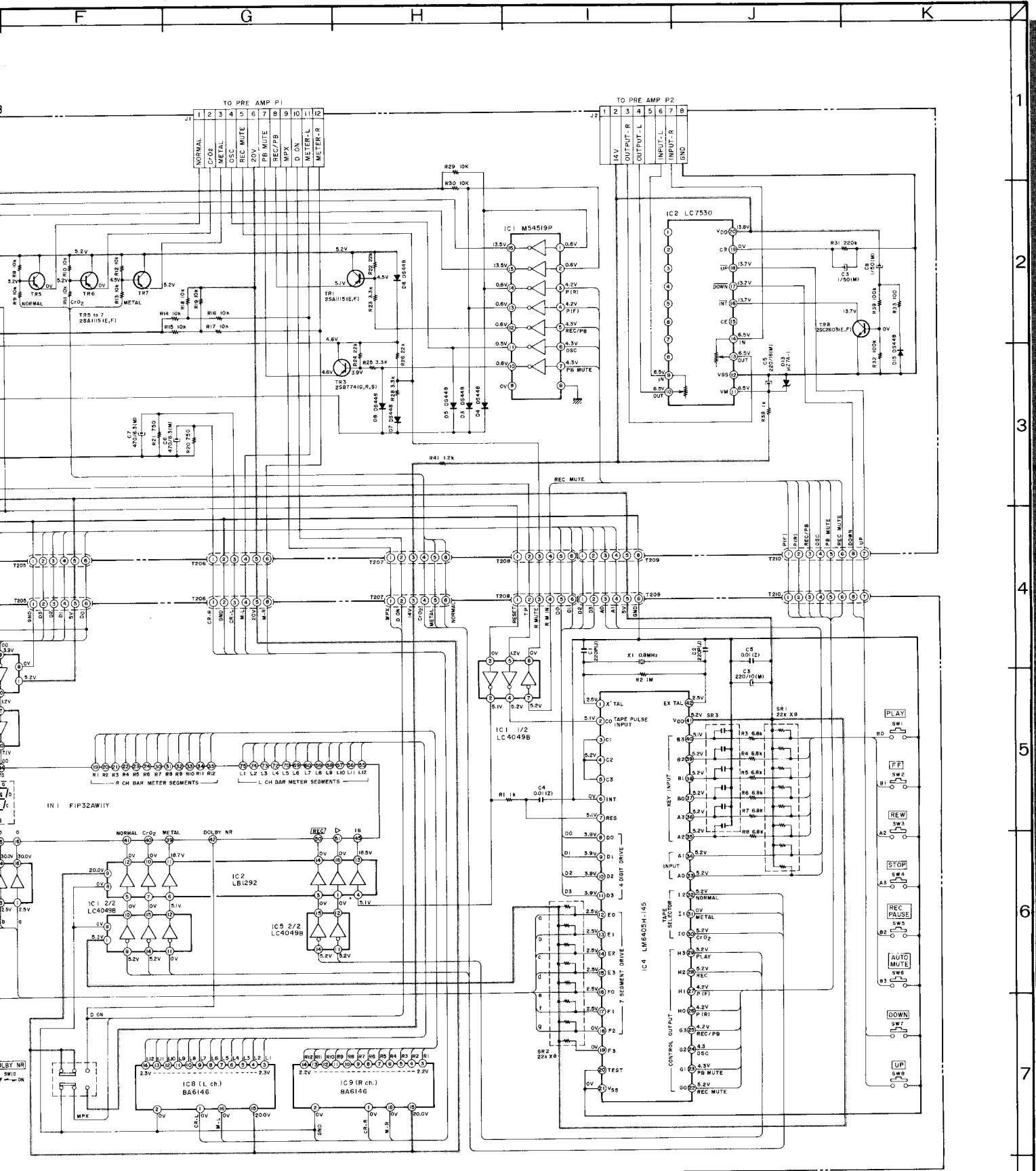
SCHMATIC DIAGRAM HX-2/HX-3

HX-2

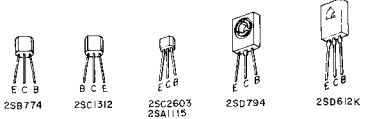


WARNING: Δ INDICATES SAFETY CRITICAL COMPONENTS. FOR CONTINUED SAFETY, REPLACE SAFETY CRITICAL COMPONENTS ONLY WITH MANUFACTURER'S RECOMMENDED PARTS.

AVERTISSEMENT: Δ INDIQUE LES COMPOSANTS CRITIQUES EN SÉCURITÉ. POUR MAINTENIR LE NIVEAU DE SÉCURITÉ DE L'APPAREIL, NE REMPLACEZ QUE LES PIÈCES RECOMMANDÉES PAR LE FABRICANT.



3A502A



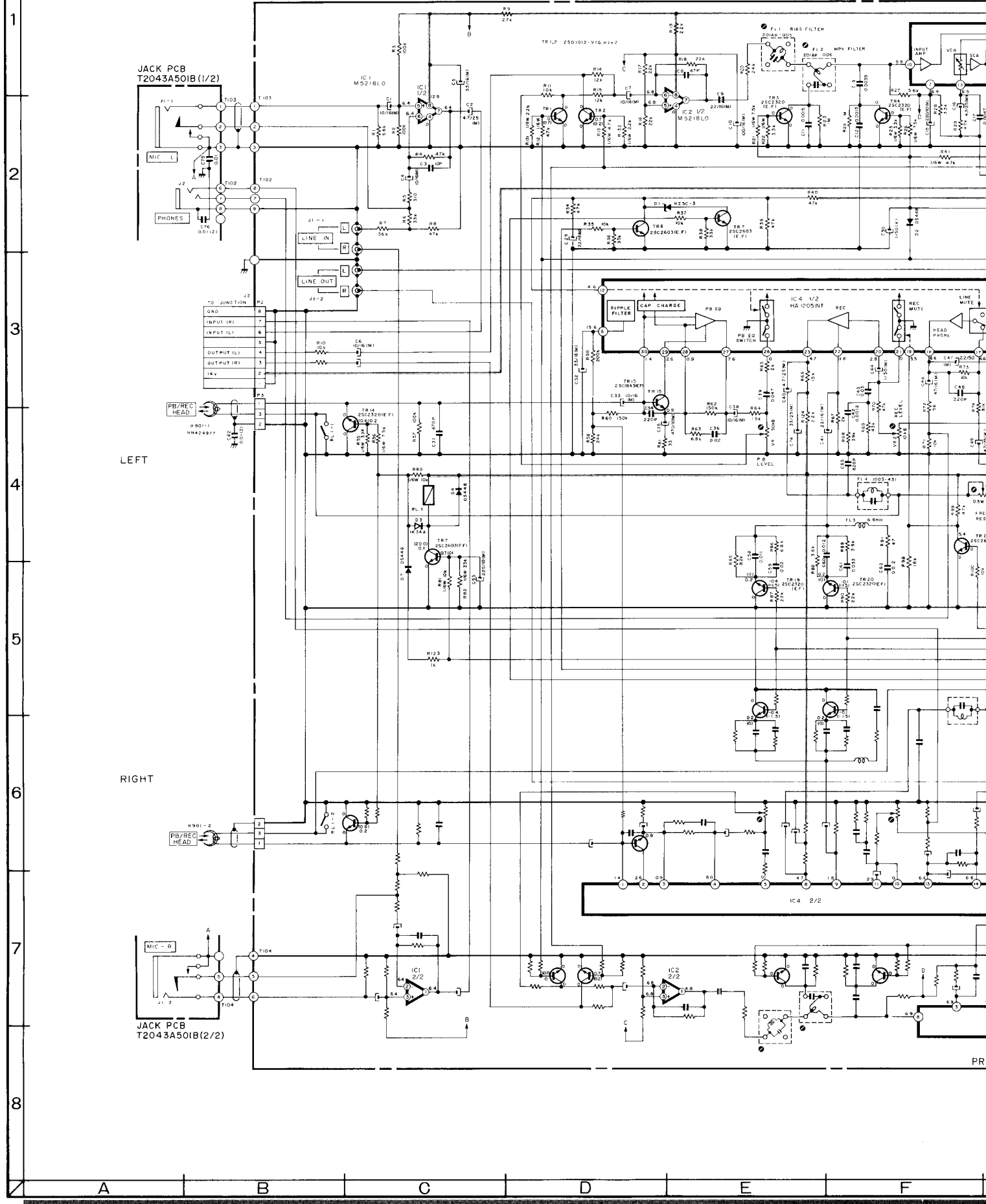
VOLTAGE AT STOP MODE  
INDICATES: DOLBY ON  
METAL  
COUNTER 0000

NOTES  
UNLESS OTHERWISE SPECIFIED  
ALL RESISTORS IN OHMS (1/4W (J))  
ALL CAPACITORS IN μF (50 WV (J))  
(FS) - FAIL SAFE RESISTORS  
POWER TRANSFORMER IS DIFFERENT  
ACCORDING TO AREA

(CASSETTE DECK)  
**HX-2**  
**POWER & SYSCON**  
**SCHEMATIC DIAGRAM**  
NO.2-1 830707A

1  
2  
3  
4  
5  
6  
7  
8

HX-2



JACK PCB  
T2043A501B (1/2)

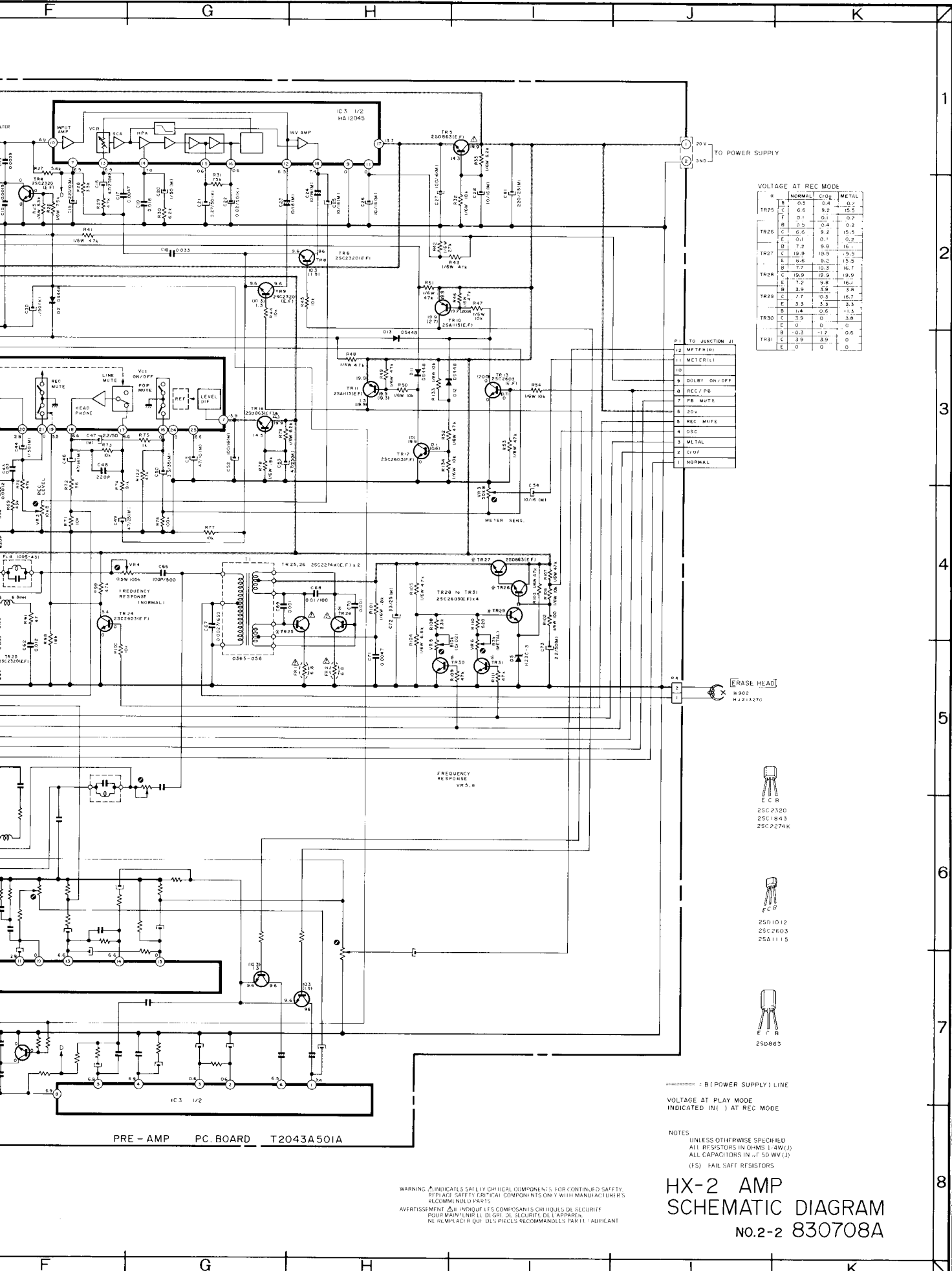
TO JUNCTION  
GND  
INPUT (L)  
INPUT (R)  
OUT PUT (L)  
OUT PUT (R)  
14 V

LEFT

RIGHT

JACK PCB  
T2043A501B (2/2)

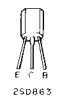
PRE



VOLTAGE AT REC MODE

X	B	NORMAL	DISC	METAL
TR25	B	0.5	0.4	0.2
	C	6.6	9.2	15.5
	E	0.1	0.1	0.2
TR26	B	0.5	0.4	0.2
	C	6.6	9.2	15.5
	E	0.1	0.1	0.2
TR27	B	7.2	9.8	16.7
	C	19.9	19.9	19.9
	E	6.6	9.2	15.5
TR28	B	7.2	10.3	16.7
	C	19.9	19.9	19.9
	E	7.2	9.8	16.7
TR29	B	1.4	0.6	11.5
	C	7.7	10.3	16.7
	E	3.3	5.3	3.3
TR30	B	3.9	0	3.8
	C	0	0	0
	E	0	0	0
TR31	B	0.3	1.2	0.6
	C	3.9	3.9	0
	E	0	0	0

- P1 TO JUNCTION J1
- 12 METER (H)
- 11 METER (L)
- 10
- 9 DOLBY ON/OFF
- 8 REC / PB
- 7 PB MUTE
- 6 20V
- 5 REC MUTE
- 4 DSC
- 3 METAL
- 2 C/D?
- 1 NORMAL



UNLESS OTHERWISE SPECIFIED  
VOLTAGE AT PLAY MODE  
INDICATED IN ( ) AT REC MODE

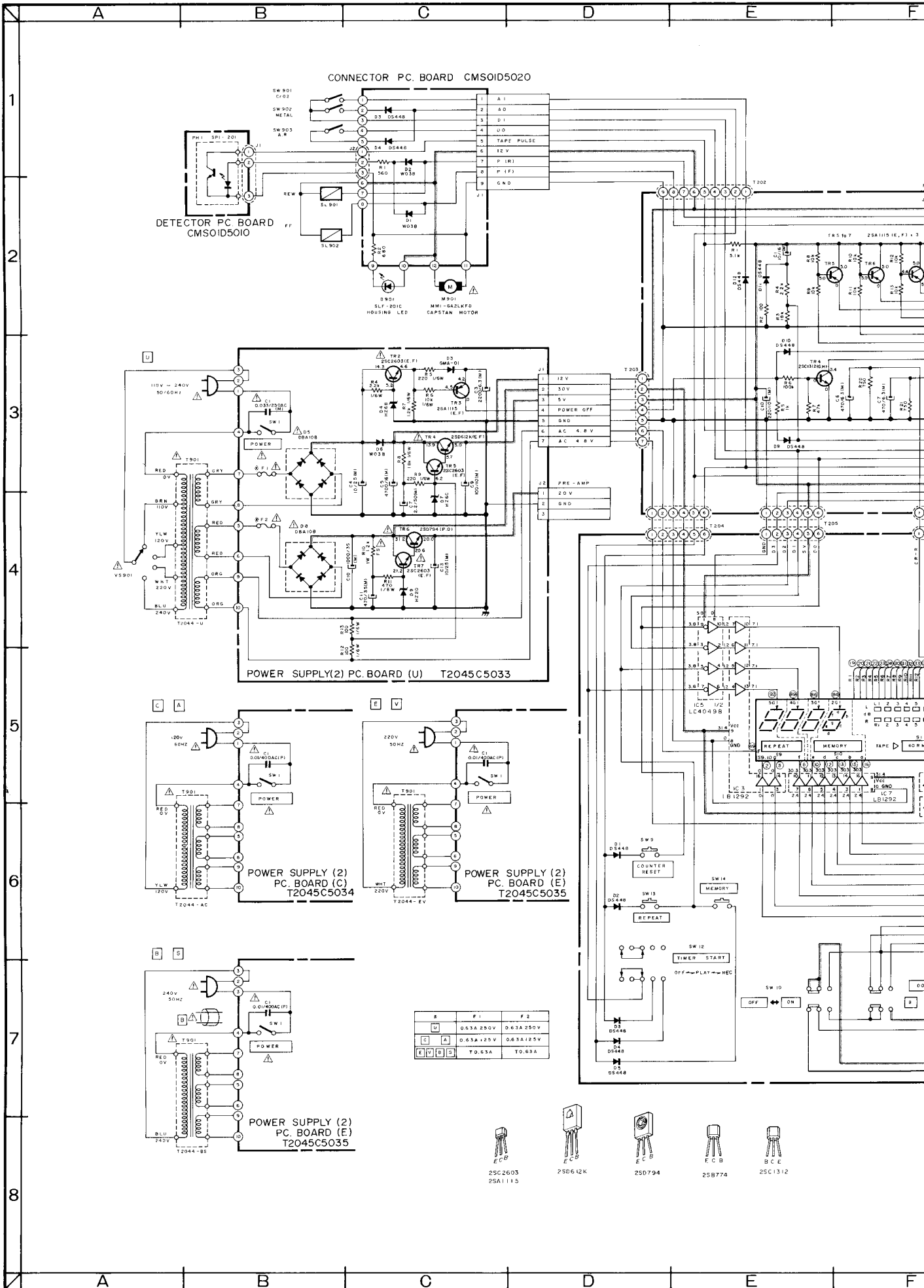
NOTES  
UNLESS OTHERWISE SPECIFIED  
ALL RESISTORS IN OHMS (1.4W (1))  
ALL CAPACITORS IN μF (50 WV (1))  
(FS) FAIL SAFE RESISTORS

# HX-2 AMP SCHEMATIC DIAGRAM NO.2-2 830708A

WARNING: INDICATES SAFETY CRITICAL COMPONENTS. FOR CONTINUED SAFETY, REPLACE SAFETY CRITICAL COMPONENTS ONLY WITH MANUFACTURER'S RECOMMENDED PARTS.  
AVERTISSEMENT: LES INDICATEURS SONT DES COMPOSANTS CRITIQUES DE LA SECURITE. POUR MAINTENIR LE NIVEAU DE SECURITE DE L'APPAREIL, REMPLACEZ SEULEMENT LES COMPOSANTS RECOMMANDES PAR LE FABRICANT.

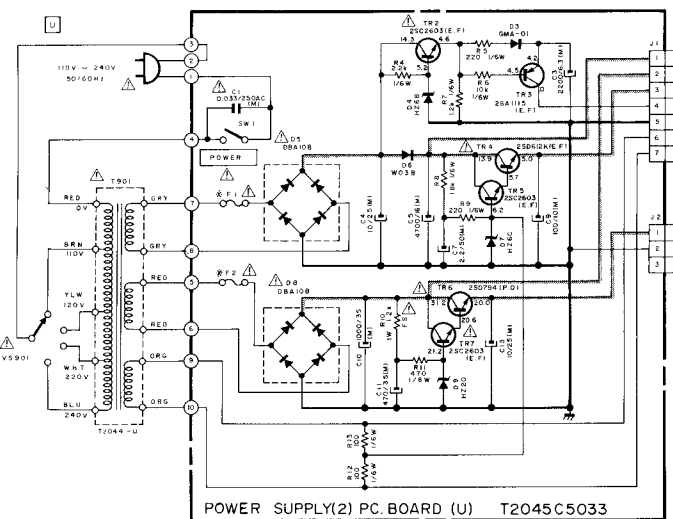
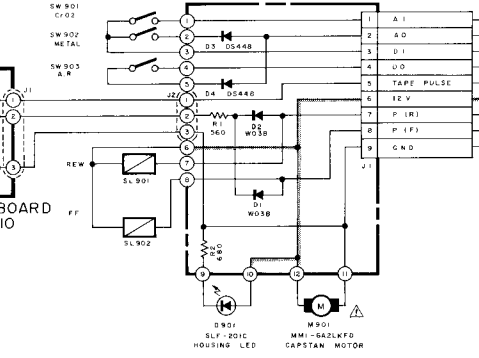
PRE-AMP PC BOARD T2043A501A



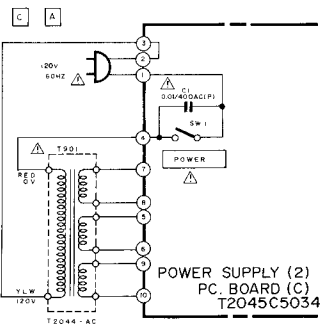


CONNECTOR PC. BOARD CMS01D5020

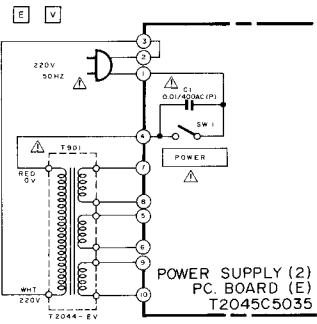
DETECTOR PC. BOARD CMS01D5010



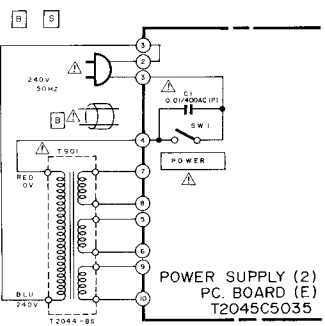
POWER SUPPLY(2) PC. BOARD (U) T2045C5033



POWER SUPPLY (2) PC. BOARD (C) T2045C5034



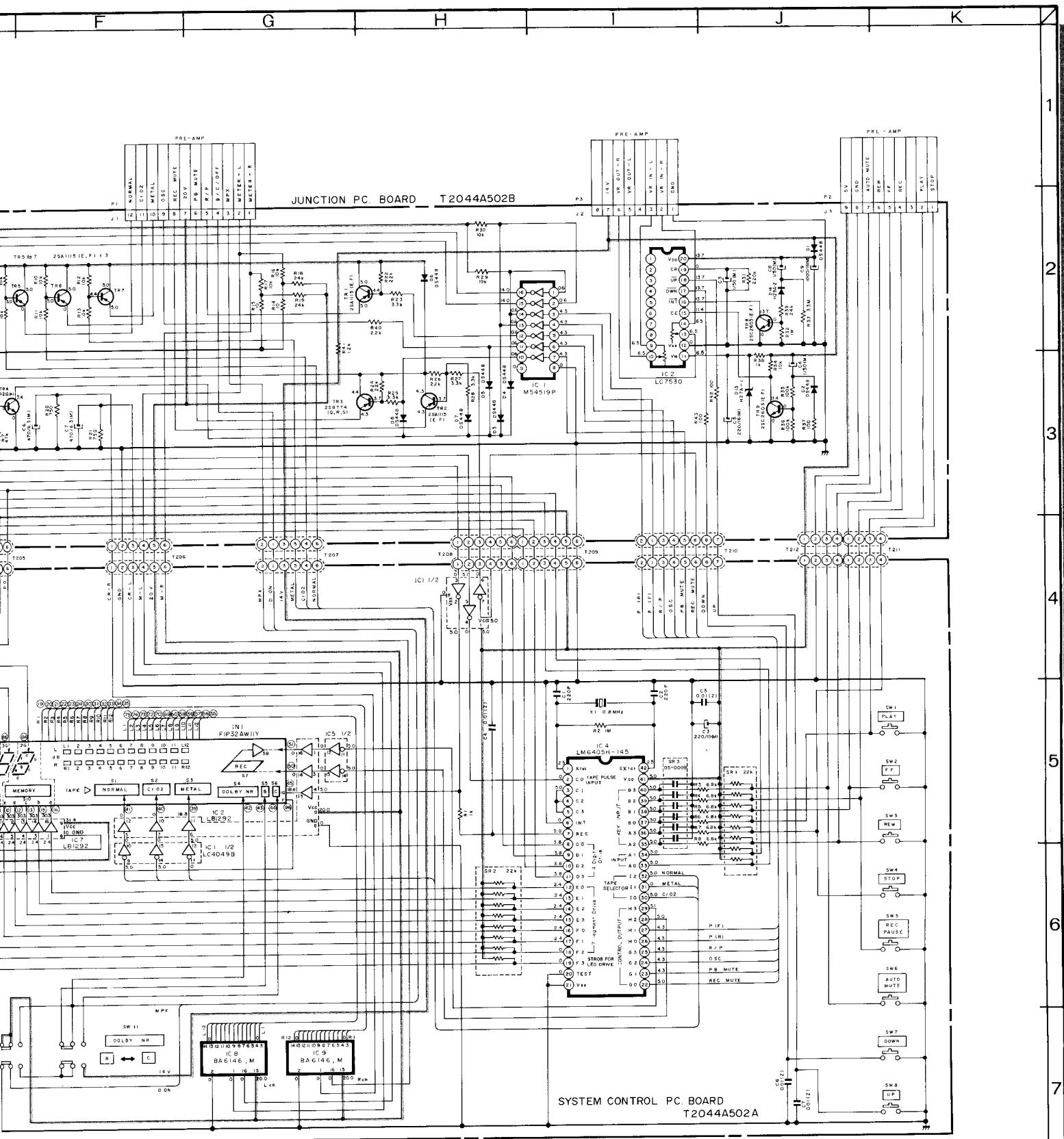
POWER SUPPLY (2) PC. BOARD (E) T2045C5035



POWER SUPPLY (2) PC. BOARD (E) T2045C5035

R	F1	F2
U	0.53A 250V	0.63A 250V
C	0.63A 25V	0.63A 125V
E	T0.63A	T0.63A

- 25C2603 25A1111D
- 25D612K
- 25D794
- 25B774
- 25C1312



B (POWER SUPPLY) LINE

WARNING: INDICATES SAFETY CRITICAL COMPONENTS FOR CONTINUOUS SAFETY. REPLACE SAFETY CRITICAL COMPONENTS ONLY WITH MANUFACTURER'S RECOMMENDED PARTS.  
AVERTISSEMENT: IL INDIQUE LES COMPOSANTS CRITIQUES DE SECURITE POUR MAINTENIR LE DEGRE DE SECURITE DE L'APPAREIL. NE REMPLACEZ QUE LES PIECES RECOMMANDEES PAR LE FABRICANT.

VOLTAGES AT STOP MODE

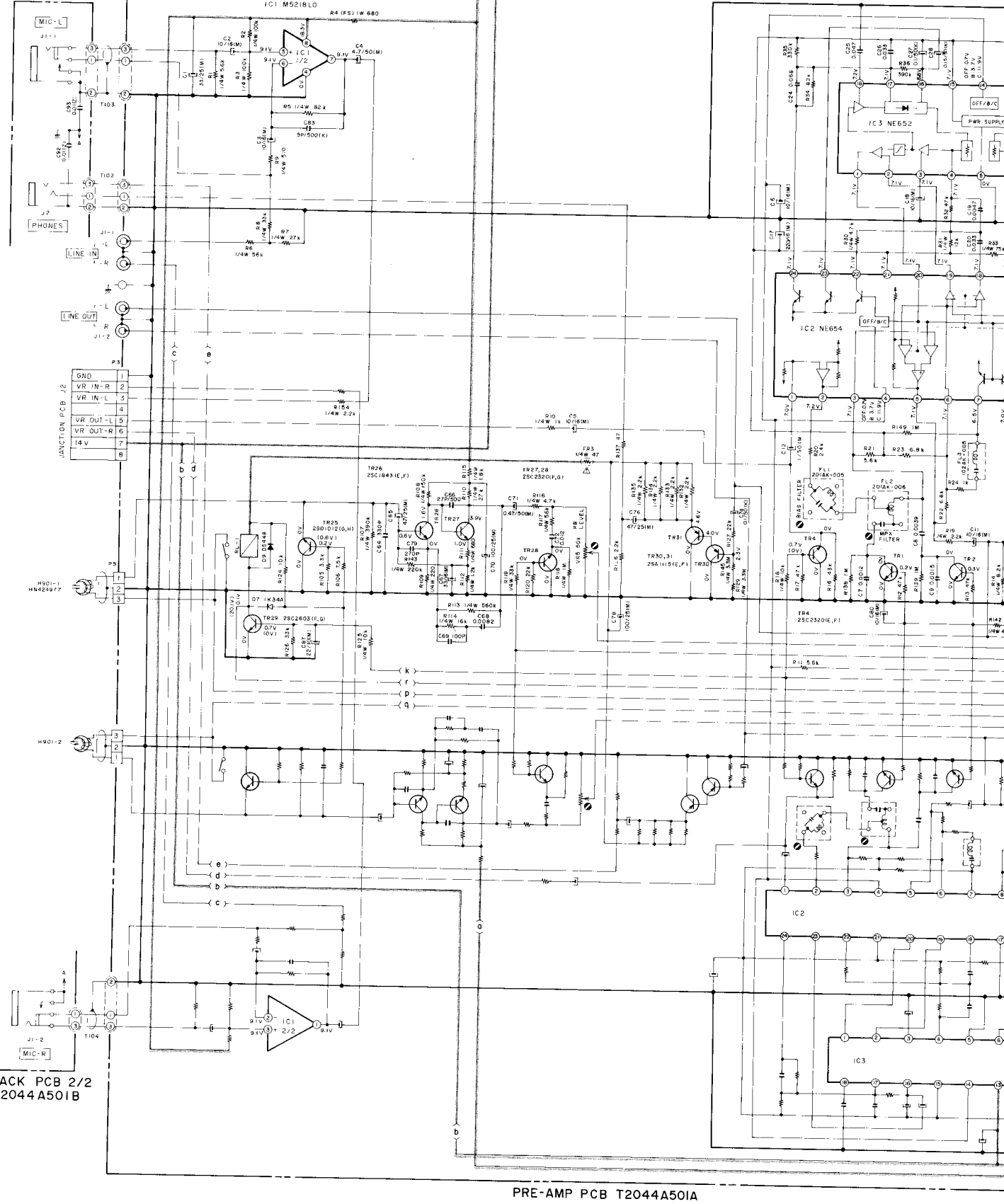
NOTE: UNLESS OTHERWISE SPECIFIED:  
ALL RESISTORS IN OHMS (Ω) UNLESS OTHERWISE SPECIFIED:  
ALL CAPACITORS IN pF (pF) UNLESS OTHERWISE SPECIFIED:  
RESISTORS IN KΩ (K) UNLESS OTHERWISE SPECIFIED:  
RESISTORS IN MΩ (M) UNLESS OTHERWISE SPECIFIED:  
POWER TRANSFORMER IS DIFFERENT ACCORDING TO AREA

(CASSETTE DECK)  
HX-3  
POWER & SYSCON  
SCHEMATIC DIAGRAM  
No.2-1 830709A

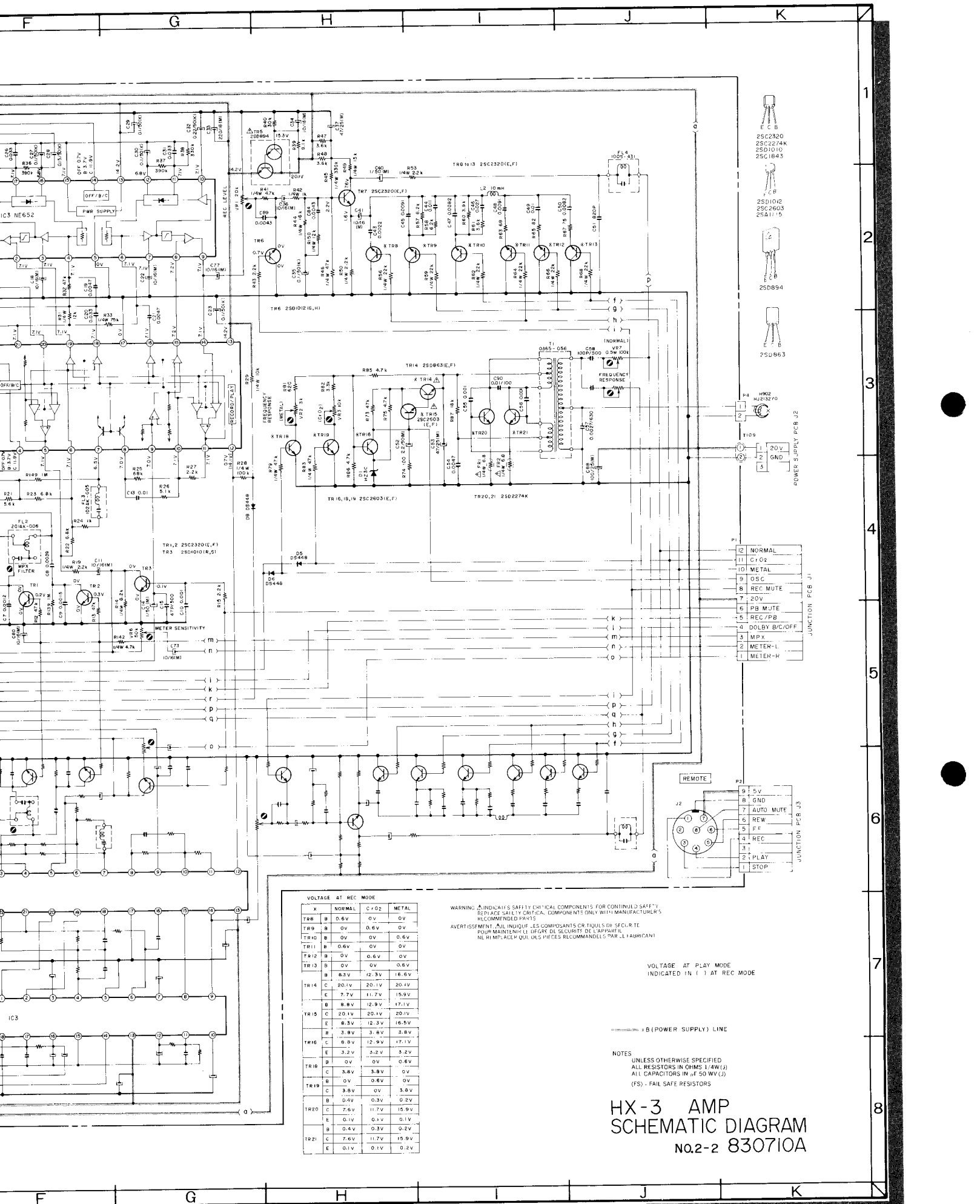
1  
2  
3  
4  
5  
6  
7  
8

HX-3

JACK PCB 1/2  
T2044A501B



PRE-AMP PCB T2044A501A



- 25C2320
- 25C2274K
- 25D1010
- 25C1843
- 25D1042
- 25C2603
- 25A1115
- 25D894
- 25D863

- JUNCTION PCB J1
- 12 NORMAL
  - 11 C1 O2
  - 10 METAL
  - 9 OSC
  - 8 REC MUTE
  - 7 20V
  - 6 PB MUTE
  - 5 REC/PB
  - 4 DOLBY B/C/OFF
  - 3 MPX
  - 2 METER-L
  - 1 METER-R

- JUNCTION PCB J3
- 9 5V
  - 8 GND
  - 7 AUTO MUTE
  - 6 REW
  - 5 FF
  - 4 REC
  - 3 PAUSE
  - 2 PLAY
  - 1 STOP

VOLTAGE AT REC MODE

X	NORMAL	C1 O2	METAL
TR8	B 0.6V	0V	0V
TR9	B 0V	0.6V	0V
TR10	B 0V	0V	0.6V
TR11	B 0.6V	0V	0V
TR12	B 0V	0V	0V
TR13	B 0V	0V	0.6V
TR14	C 20.1V	20.1V	20.1V
	E 7.7V	11.7V	15.9V
TR15	C 8.8V	12.9V	17.1V
	E 20.1V	20.1V	20.1V
	F 3.8V	12.3V	16.5V
	H 3.8V	3.6V	8.8V
TR16	C 6.8V	12.9V	17.1V
	E 3.2V	5.2V	3.2V
TR18	B 0V	0V	0V
	C 3.8V	3.8V	0V
	D 0V	0.6V	0V
TR19	B 3.8V	0V	3.8V
	D 0.4V	0.2V	0.2V
TR20	C 7.6V	11.7V	15.9V
	E 0.1V	0.1V	0.1V
	B 0.4V	0.3V	0.2V
TR21	C 7.6V	11.7V	15.9V
	E 0.1V	0.1V	0.2V

WARNING: INDICATES SAFETY CRITICAL COMPONENTS FOR CONTINUOUS SAFETY. REPLACE SAFETY CRITICAL COMPONENTS ONLY WITH MANUFACTURER'S RECOMMENDED PARTS.  
 AVERTISSEMENT: AIL INDIQUE LES COMPOSANTS CRITIQUELS DE SECURITE. POUR MANTENIR LE NIVEAU DE SECURITE DE L'APPAREIL, NE REMPLACEZ QUE LES PIECES RECOMMANDEES PAR LE FABRICANT.

VOLTAGE AT PLAY MODE  
 INDICATED IN ( ) AT REC MODE

⊕ (POWER SUPPLY) LINE

NOTES  
 UNLESS OTHERWISE SPECIFIED  
 ALL RESISTORS IN OHMS 1/4W(J)  
 ALL CAPACITORS IN μF 50 WV(J)  
 (FS) - FAIL SAFE RESISTORS

# HX-3 AMP SCHEMATIC DIAGRAM No.2-2 830710A